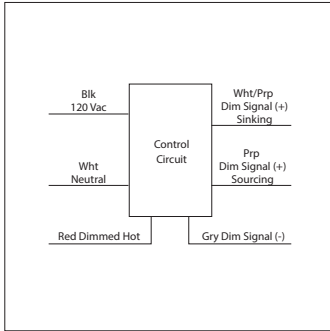


0-10V CONTROLLED PHASE ANGLE DIMMER

LR01F600

Phase Angle Dimmer, 0-10 Vdc Input, 120 Vac Power Input, 600W Rated, Dimming Mode Selectable, NEMA 1 Housing



SPECIFICATIONS

- Operating Temperature:** -30 to 122 F
- Humidity Range:** 5 to 95% (noncondensing)
- Red LED:** Power Status
- Dimensions:** 4.00"H x 4.00"W x 1.81"D with 0.50"NPT nipple
- Housing Detail:** See **Housing C** in housing guide for dimensions
- Origin:** Made of US and non-US parts
- Wires:** 16", 600V rated
- Approvals:** UL Listed, UL916, C-UL, RoHS
- Housing Rating:** UL Accepted, NEMA 1
- Max Lighting Load:** 600W Incandescent/Halogen
Recommended 300W max for other dimmable lighting loads
- Min Lighting Load:** 1W
- Dim to off:** Yes
- Selectable Dimming Mode:** Yes
- Selectable Low Dim Threshold:** No
- Power Input Ratings:** 100mA @ 120 Vac; 60Hz

Notes:

- DIP switches on unit can change dimming between leading or trailing edge and between sinking or sourcing 0-10V control standards.
- Purple wire is used with Current Sink 0-10V controllers and White/Purple wires are used with Current Source 0-10V controllers.
- Not for use with Magnetic Low Voltage (MLV) loads.
- Low Voltage wires not Class 2

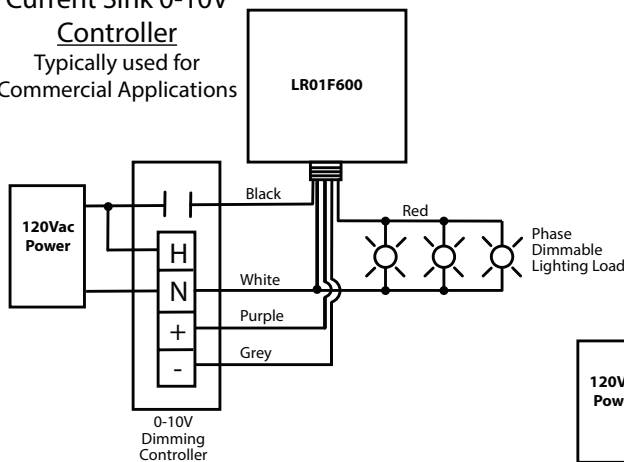
Switch Settings

Switch 1	ON	Leading Edge Dimming
Switch 1	OFF	Trailing Edge Dimming
Switch 2	ON	Current Source 0-10V
Switch 2	OFF	Current Sink 0-10V

TYPICAL APPLICATION

Current Sink 0-10V Controller

Typically used for Commercial Applications



Current Source 0-10V Controller

Typically used for Theatrical Applications

